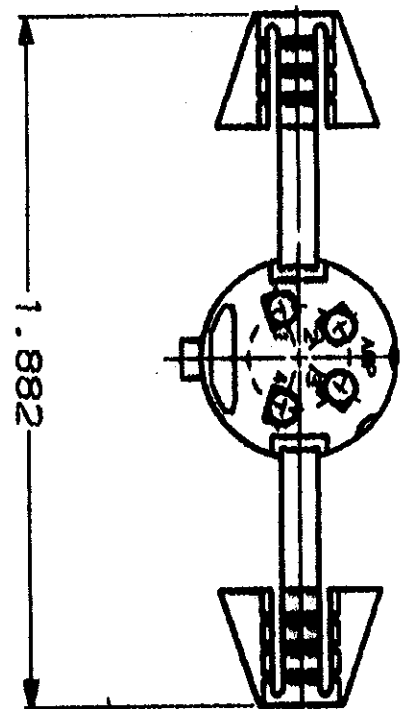
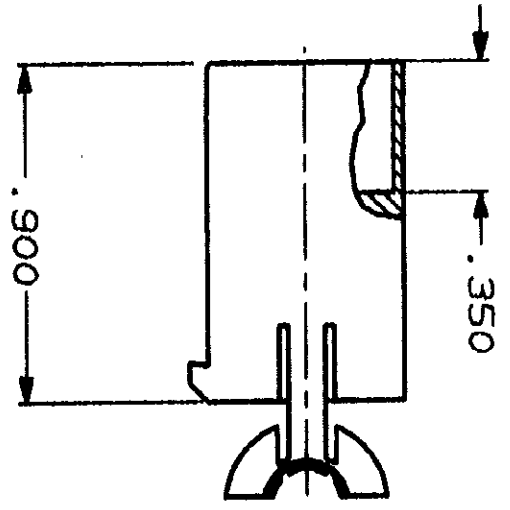
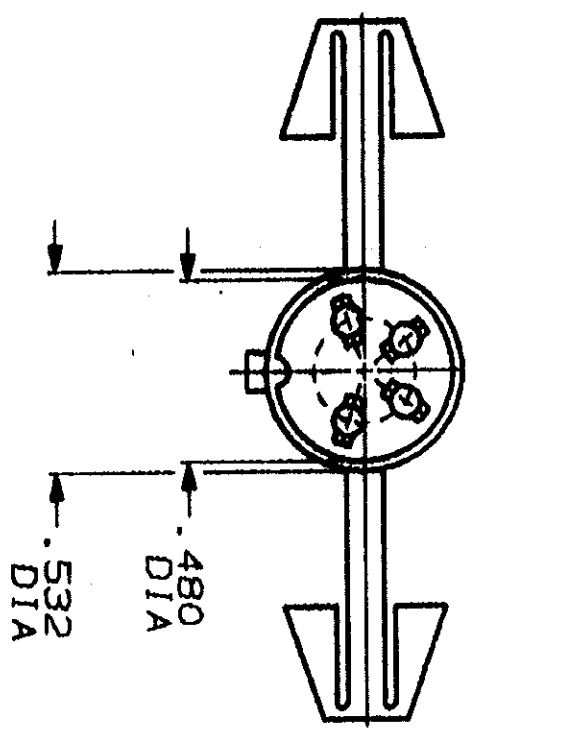


DRAWING MADE IN THIRD ANGLE PROJECTION
 THIS DRAWING IS UNPUBLISHED.
 © COPYRIGHT 19
 RELEASED FOR PUBLICATION
 BY AMP INCORPORATED. ALL INTERNATIONAL RIGHTS RESERVED. .19

NO	LOC	DATE	REVISIONS	DATE	APPD
23	BD	39		8/22/98	KD
			ZONE LTR		
			B REDRAWN		



1. ASSEMBLES WITH 207314-1

207313-1
 PART
 NO.

207313

DO NOT SCALE PRINT.
 UNLESS SPECIFIED
 DIMENSIONS IN INCHES
 TOLERANCES ON :
 2 PLC DEC # .005
 3 PLC DEC # .005
 ANGLES
 MATERIAL
 NYLON, BLACK

AMP AMP Incorporated
 Harrisburg, PA 17105-3508
 NAME
 HOUSING, PIN CONTACT
 AUDIO MICROPHONE CONNECTOR, 4 POSN

DR 8/20/98 A. STAUB BG	CHK - Arnold 5-30-91	APPD K. Basso 6-2-91	APPRO - Gaudin 4/7/91	PRODUCT SPEC	FINISH	SCALE 2:1	CAGE CODE 00779	DRAWING NO 207313	SHEET 1 OF 1
---------------------------	----------------------	----------------------	-----------------------	--------------	--------	-----------	-----------------	-------------------	--------------

CUSTOMER DRAWING